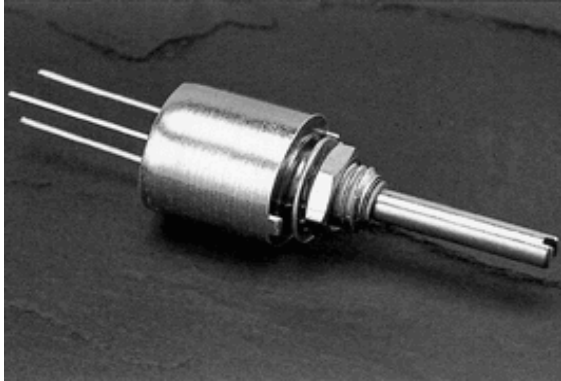




Precision Series SPR - 1/2 Watt 1/8" shaft diameter



Precision series SPR/RV8 potentiometers are for PCB applications requiring a rugged potentiometer.

FEATURES:

- hot molded carbon element
- board washable
- stainless steel shaft
- compact size
- quality meeting or exceeding MIL-R-94 - QPL listed

OPTIONS:

- custom shafts and bushings
- special tapers
- customer specified marking
- location tab position

ELECTRICAL SPECIFICATIONS:

Resistance range, linear taper: 100 Ω to 5 Meg Ω

Resistance range, logarithmic taper: 150 Ω to 1 Meg Ω

Resistance tolerance: $\pm 10\%$ or $\pm 20\%$

Resistance taper: linear, logarithmic, reverse logarithmic;
other tapers by special order

Power rating: 0.5 watts at 70°C derated to 0 watts at 120°C

Insulation resistance:

dry: 10K Meg Ω

wet: 100K Meg Ω

Dielectric strength: 750 V RMS at sea level

Operating voltage: 350 V, subject to power rating

MECHANICAL SPECIFICATIONS:

Mechanical rotation: 295°

Operating torque: 0.5 oz/in to 6 oz/in

Rotational life: 25,000 cycles

ENVIRONMENTAL SPECIFICATIONS:

Operating temperature: - 65°C to +125°C

Resistance to soldering heat: 350°C for 5 seconds

Humidity range: per MIL-R-94

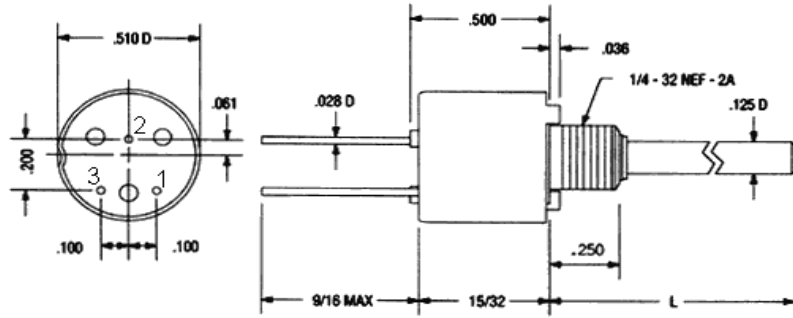
Vibration range: per MIL-R-94

Shock resistance: per MIL-R-94

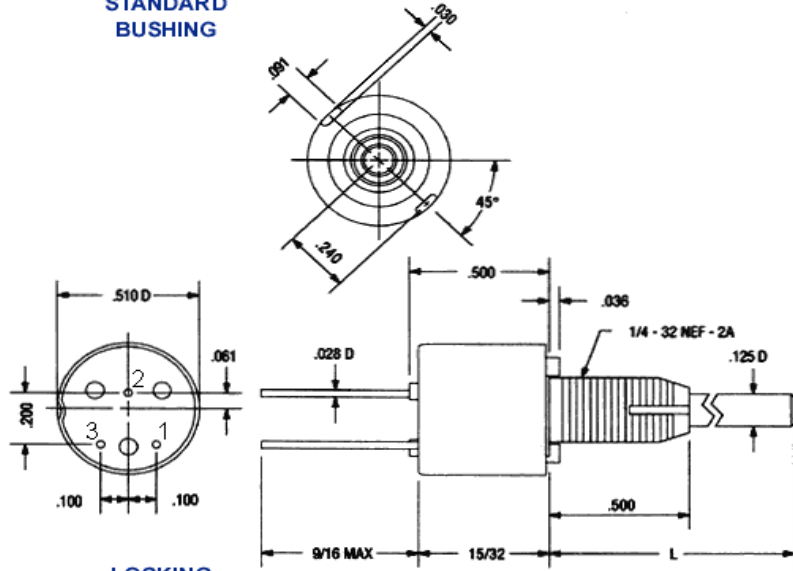
Load life: 1000 hours at 70°C



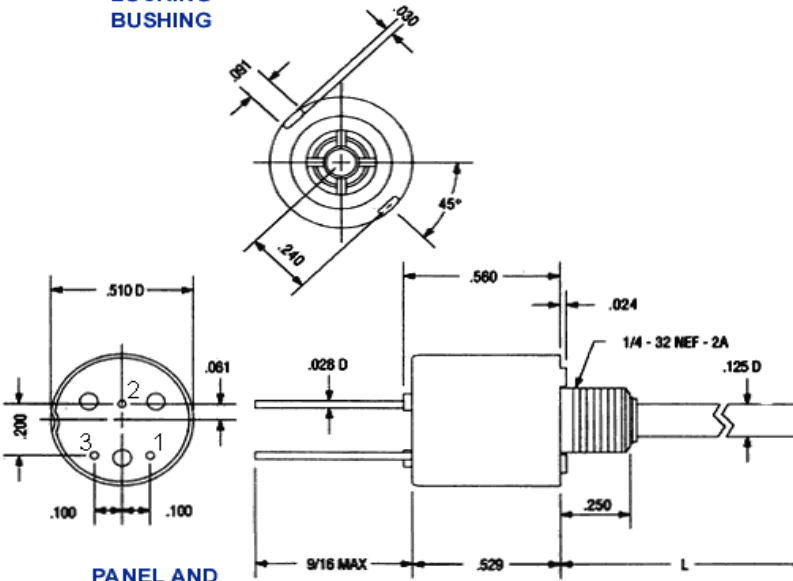
DRAWING:



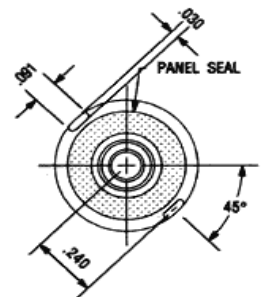
STANDARD BUSHING



LOCKING BUSHING



PANEL AND SHAFT SEAL





ORDERING INFORMATION:

Ordering Information - Commercial Part Numbers							
Series	Bushing	Bushing Length	Taper	Resistance Value	Tolerance	Shaft Style	Shaft Length
SPR = series SPR	Blank = standard L = locking W = panel & shaft seal	Blank = 1/4" 6 = 3/8"	U = linear A = logarithmic B = reverse logarithmic	Total resistance value in Ω : first 2 digits significant, third digit = number of zeroes	1 = 10% of nominal 2 = 20% of nominal	R = round S = slotted F = flatted	16 = 1/2" 20 = 5/8" 24 = 3/4" 28 = 7/8" 32 = 1"
Example: SPRU2521R20 note: not all part number combinations are valid							

Ordering Information - Military Part Numbers							
Style	Bushing	Switch	Temperature & Moisture Characteristics	Shaft Style	Shaft Length	Resistance Value	Taper & Tolerance
RV8 = MIL style RV8	N = standard L = locking S = panel & shaft seal	A = without switch	Y = as per MIL-R-94	S = slotted F = flatted	L = 3/8" B = 1/2" A = 5/8" D = 7/8"	Total resistance value in Ω : first 2 digits significant, third digit = number of zeroes	A = linear 10% B = linear 20% C = logarithmic 10% D = logarithmic 20% E = reverse logarithmic 10% F = reverse logarithmic 20%
Example: RV8NAYSD252A note: not all part number combinations are valid							

Series SPR Cross Reference			
Precision	Military	Clarostat	Allen Bradley
SPR	RV8NAY	392	W or G
SPRL	RV8LAY	392	